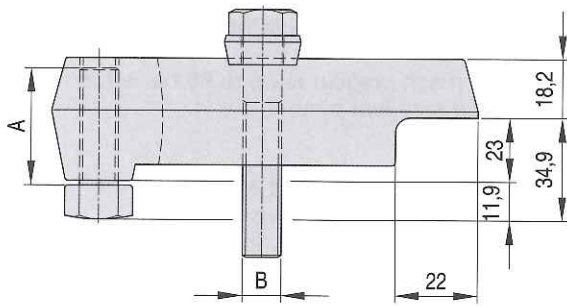
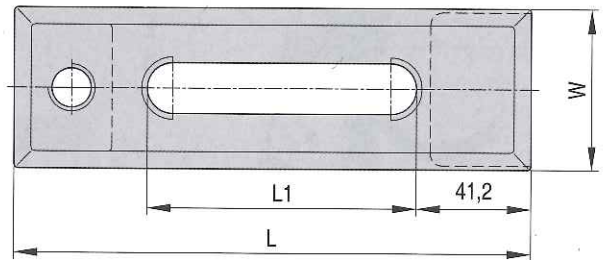
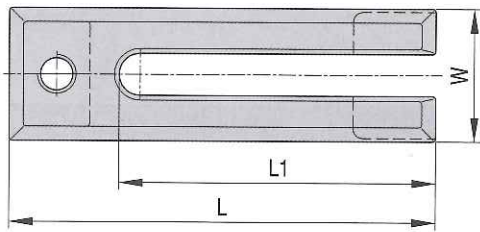
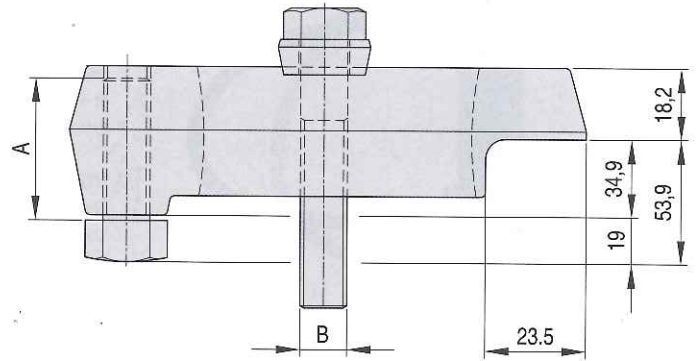


MCA 4-4 --> MCA 6-7



MCA 8-95



REF	B (DIN 933)	A	L	L1	W
MCA44	HEX M12x80(DIN933)	38	106	72	41
MCA55	HEX M16x100(DIN933)		132	86	
MCA57	HEX M16x100(DIN933)		178	127	48
MCA65	HEX M16x100(DIN933)		132	86	
MCA67	HEX M16x100(DIN933)		178	125	50
MCA77	HEX M20x110(DIN933)		178	125	
MCA895	HEX M24x120(DIN933)	50	241	135	67